

Explore Australia
with a Mario Camper!



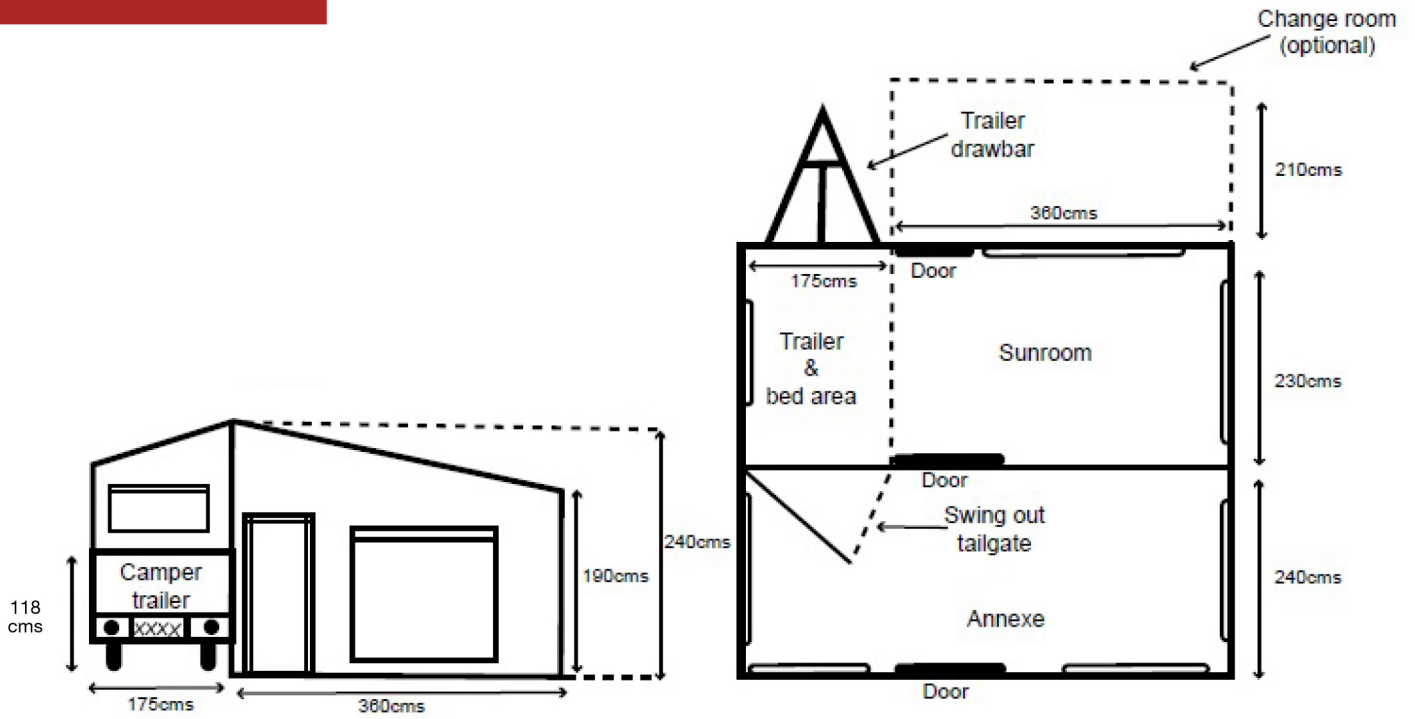
MARIO

TRAILERS

Quality Trailers made in Australia



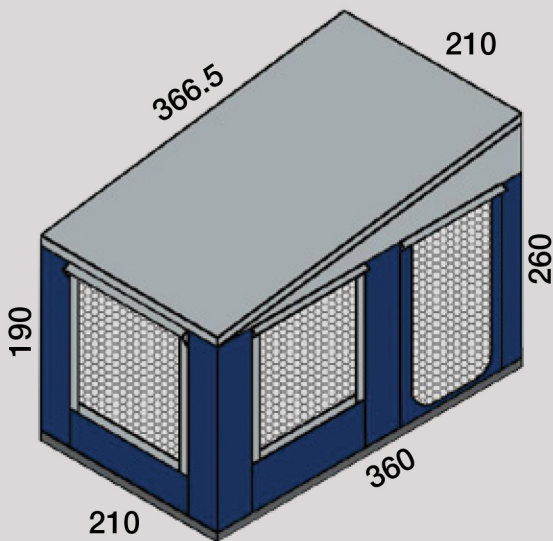
www.mariotrailers.com.au



**All measurements in centimeters.*

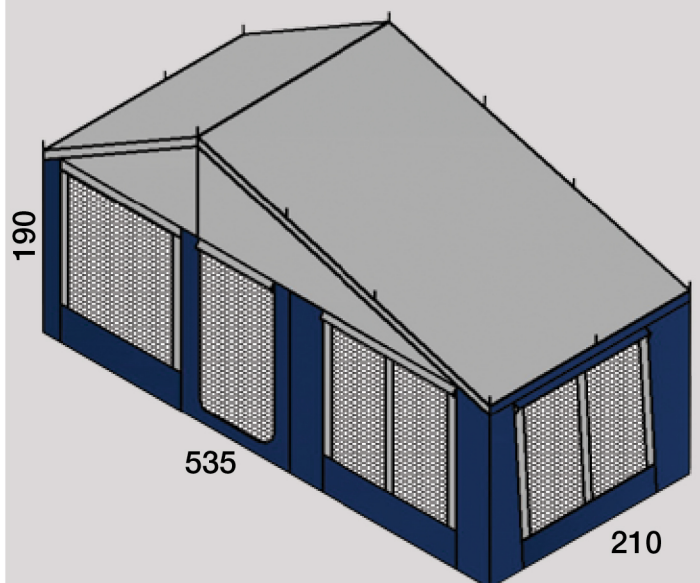
TENT SPECS & ANNEXES

CHANGE ROOM
\$600



**All measurements in centimeters.*

EXTRA ANNEX ROOM
\$1000



**All measurements in centimeters.*



CAMPER TENT

\$2500

Tent Specification:

- **EXTREME QUALITY 15oz RIP STOP CANVAS** (small grid canvas on roof, awning & walls) **12FT TENT** with **STRAIGHT SIDES**
- 500g/m2 PVC Seamless **TUB Floor in Main Tent** with 150mm high walls around tent (to prevent flooding)
- Aluminium square ladder included for access to main bed
- Large size windows & doors have canvas & mosquito proof midge mesh netting
- Large strong zippers on windows and doors for easy use
- **All Windows in main tent have inside & also outside curtains with zippers** (to open or close windows from inside or out)
- All window curtains have button eyelets, with relative ropes & pegs
- **Annex has 2 x awning rain shields on windows with poles**
- Some windows have half clear PVC & half mesh to enable light & awnings for shade
- **Zipper opening door under bed with mesh, to access trailer & to circulate air inside tent**
- Tent has higher roof (too keep tent cooler)
- Square roll up access doors
- **Annex Roof Fully detachable with zipper & Velcro**
- **Annex walls removable in 3 parts with zipper**
- **Waterproof tape sewn & sealed along all stitching on tent** (Prevents rain leakage)
- Velcro attached to sunroom walls & annex walls making the tent fully sealed
- Grey PE (200g/m2) 150mm higher annex floor sealed via Velcro & fully detachable
- **Access to trailer through hatch under bed base with gas strut for easy access and lifting**
- Our newly upgraded design tent can be stabilized without guide ropes for self support (except guide ropes can be used in windy conditions which are included in tent)
- Rain shield on small window on bedroom side
- Mattress protector around main bed
- Option to add a 2nd annex room to the front
- Option to add a change room at rear of tent
- **Extra spreader bars in main tent & annex roof**
- Easy eyelet hooks design for connecting annex roof poles
- **Sleeves in annex roof for poles**
- **New back door on back wall for rear access**
- Extra strong C clips that do not brake or crack
- Access to trailer via velcro skirting on tailgate with Velcro on all 4 sides (prevents insects) & extra roll up skirting for tailgate & kitchen access
- Upgraded fold out frame in bedroom which enables for quick & easy setup with a universal frame with adjustable poles
- 18mm solid marine plywood bed base with rust proof steel frame
- Poles & pegs 25mm x 22mm are galvanised, strong & durable
- Easy slide poles for quick set up
- High quality fully sealed 600g/sm grey PVC travel cover with zipper & Velcro for waterproof & dust proof plus dust cover inside to cover tent & 6 tie down straps for extra security
- Aluminium sail track under bed base attached to travel cover for extra prevention of waterproof & dust proof
- Internal storage pockets
- Sleeps 8 to 10 people
- Quick set up in 10 to 15 mins
- **Tent:** 535cm (L) x 470cm (W) x 240cm (H) x 190cm side height
- **Bed Area:** 175cm x 230cm (suits queen size mattress) **mattress not included**
- **Sitting Area:** 360cm x 230cm
- **Sunroom Annex:** 535cm x 240cm
- **Tent weight:** 130kg
- Total floor space 25 square metres
- Approx 18ft x 16ft tent
- Grey roof & windows with navy blue walls.



\$4000

ON-ROAD PAINTED

(SEMI OFF-ROAD)

(including tent)

- 7ft x 4ft heavy duty trailer (2100mm x 1200mm)
- Highsides (520mm high)
- Checkerplate mudguards
- Checkerplate full side steps at rear (gussets)
- Checkerplate rear light guards
- Checkerplate floor 2.1mm
- 39mm solid round axle
- 5 Leaf slipper springs
- 5 Stud Ford pattern with 15" white Sunraiser tyres (second-hand tyres) with brand new rims
- Spare wheel (second-hand tyres) with brand new rim
- 1 X 20 litre Jerry can holder on side (side access & lockable)
- 1 X 4.5 kg gas bottle holder on side (side access & lockable)
- Lockable heavy duty checkerplate swing out tailgate
- 2 X ALKO big foot stabilizing wind down legs (including handle)
- Upright spare wheel mount (including spare tyre)
- Provision for tool box on drawbar
- 1500mm long 75 x 50mm drawbar
- LED lights
- Quick release coupling
- 6" Swingable jockey wheel
- 7 Pin flat or round plug
- Load capacity 750kg GVM
- Including 12 months private NSW registration.
- Direct from manufacturer and Australian made trailers
- 12 Months warranty
- Approximate weight: 380 kgs



ON-ROAD GALVANISED

\$5000

(including tent)

(SEMI OFF-ROAD)

- 7ft x 4ft heavy duty trailer (2100mm x 1200mm)
- Highsides (520mm high)
- Checkerplate mudguards
- Checkerplate full side steps at rear (gussets)
- Checkerplate rear light guards
- Checkerplate floor 2.1mm
- 39mm solid round axle
- 5 leaf slipper springs
- 5 stud ford pattern with 15" white Sunraiser tyres (secondhand tyres) with brand new rims
- Spare wheel (secondhand tyres) with brand new rim
- 1 x 20 litre Jerry can holder on side (side access & lockable)
- 1 x 4.5kg gas bottle holder on side (side access & lockable)
- Lockable heavy duty checkerplate swing out tailgate
- 2 x ALKO big foot stabilizing wind down legs (including handle)
- Upright spare wheel mount (including spare tyre)
- Provision for tool box on drawbar
- 1500mm long 75 x 50mm drawbar
- LED Lights
- Quick release coupling
- 6" swingable jockey wheel
- 7 pin flat or round plug
- Load capacity 750kg GVM
- Including 12 months private NSW registration
- Direct from manufacturer and Australian made trailers
- 12 months warranty
- Fully hot dipped galvanised
- Approximate weight: 430 kgs



ON-ROAD ALUMINIUM

\$5500

(including tent)

(SEMI OFF-ROAD)

- 7ft x 4ft heavy duty trailer (2100mm x 1200mm)
- Checkerplate ribbed highsides (520mm H)
- Checkerplate mudguards
- Checkerplate full side steps at rear (gussets)
- Checkerplate rear light guards
- Checkerplate floor - 3mm
- Trailer gauge is 3mm in thickness
- Galvanised tube chassis 50x50mm RHS
- 39mm round solid axle
- 5 leaf slipper springs
- 5 stud ford pattern with 15" white Sunraiser tyres (secondhand tyres) with brand new rims
- Spare wheel (secondhand tyre) with brand new rim
- 1 x 20 litre Jerry can holder on side (side access & lockable)
- 1 x 4.5kg gas bottle holder on side (side access & lockable)
- Heavy duty checkerplate swing out tailgate (lockable)
- 2 x ALKO big foot stabilizing wind down legs (including handle)
- Upright spare wheel mount (including spare tyre)
- Provision for tool box on drawbar
- 1500mm long 75x50mm RHS drawbar
- LED lights
- Quick release coupling
- 6" swingable jockey wheel
- 7 pin flat or round plug
- LED lights
- Load capacity 750kg GVM
- Including 12 months private NSW registration
- Direct from manufacturer and Australian made trailers
- 12 months warranty
- Approximate weight: 410 kgs



\$4800

OFF-ROAD PAINTED

(including tent)

- 7ft x 4ft heavy duty trailer (2100mm x 1200mm)
- Highsides (520mm high)
- Full tube chassis 50x50mm RHS
- Checkerplate mudguards
- Checkerplate full side steps at rear (gussets)
- Checkerplate rear light guards
- Checkerplate floor 2.1mm
- 40mm solid square axle
- ALKO 7 leaf springs
- 6 stud hubs with 15" white Sunraiser off-road (secondhand tyres) with brand new rims
- Spare wheel with secondhand tyres with brand new rim
- 1 x 20 litre Jerry can holder on side (side access & lockable)
- 1 x 4.5kg gas bottle holder on side (side access & lockable)
- Lockable heavy duty checkerplate swing out tailgate
- 2 x ALKO Big Foot stabilizing wind down legs (including handle)
- Upright spare wheel mount (including spare tyre)
- Provision for tool box on drawbar
- 1700mm long 100 x 50mm drawbar RHS
- Quick release coupling
- 10" swingable jockey wheel
- 7 pin flat or round plug
- LED Lights
- Load capacity 750kg GVM
- Including 12 months private NSW registration
- Direct from manufacturer and Australian made trailers
- 12 months warranty
- Approximate weight: 420 kgs



OFF-ROAD GALVANISED

\$5800

(including tent)

- 7ft x 4ft heavy duty trailer (2100mm x 1200mm)
- Highsides (520mm high)
- Full Tube Chassis 50x50mm RHS
- Checkerplate Mudguards
- Checkerplate full side steps front & rear (gussets)
- Checkerplate rear light guards
- Checkerplate floor 2.1mm
- 40mm Solid Square Axle
- ALKO 7 leaf springs
- 6 stud hubs with 15" White Sunraiser off-road (secondhand tyres) with brand new rims
- Spare wheel with secondhand tyres with brand new rim
- 1 x 20 litre Jerry can holder on side (side access & lockable)
- 1 x 4.5kg gas bottle holder on side (side access & lockable)
- Lockable heavy duty checkerplate swing out tailgate
- 2 x ALKO big foot stabilizing wind down legs (including handle)
- Upright spare wheel mount (including spare tyre)
- Provision for tool box on drawbar
- 1700mm long 100 x 50mm drawbar RHS
- Quick release coupling
- 10" swingable jockey wheel
- 7 pin flat or round plug
- LED lights
- Load capacity 750kg GVM
- Including 12 months private NSW registration
- Direct from manufacturer and Australian made trailers
- 12 months warranty
- Hot dipped galvanised
- Approximate weight: 460 kgs



OFF-ROAD ALUMINIUM

\$6300

(including tent)

- 7ft x 4ft heavy duty trailer (2100mm x 1200mm)
- Checkerplate ribbed highsides (520mm H)
- Galvanised full tube chassis 75x50mm RHS
- Custom made checkerplate mudguards (wide)
- Checkerplate full side steps front & rear (gussets)
- Checkerplate rear light guards
- Checkerplate floor - 3mm
- Trailer gauge is 3mm in thickness
- 40mm solid square axle
- ALKO 7 leaf slipper springs
- 6 stud hubs with 15" white Sunraiser off-road tyres (secondhand tyres) with brand new rims
- Spare wheel with secondhand tyres & brand new rim
- 1 x 20 litre Jerry can holder on side (side access & lockable)
- 1 x 4.5kg gas bottle holder on side (side access & lockable)
- Heavy duty swing out checkerplate tailgate (lockable)
- 2 x ALKO big foot stabilizing wind down legs (including handle)
- Upright spare wheel mount (including spare tyre)
- Provision for tool box on drawbar
- Drawbar 1700mm long 100x50mm RHS
- Quick release coupling
- 10" swingable jockey wheel
- 7 pin flat or round plug
- LED lights
- Load capacity 750kg GVM
- Including 12 months private registration
- Direct from manufacturer and Australian made trailers
- 12 months warranty
- Approximate weight: 440 kgs

**Does not come standard with tool box fitted.*



\$5800 EXT OFF-ROAD PAINTED

(including tent)

- 7ft x 4ft heavy duty trailer (2100mm x 1200mm)
- Highsides (520mm high)
- Full tube chassis 50x50mm RHS
- Checkerplate mudguards
- Checkerplate full side steps front & rear (gussets)
- Checkerplate rear light guards
- Checkerplate floor 2.1mm
- Checkerplate straight walls
- 45mm solid square axle
- ALKO eye to eye outback off-road springs (7 leaf)
- 6 Stud hubs with 15" white sunraiser off road tyres (second-hand tyres) with brand-new rims
- Spare wheel with second-hand tyre with brand new rim
- 1 X 20 litre Jerry can holder on side (side access & lockable)
- 1 X 4.5kg gas bottle holder on side (side access & lockable)
- Lockable heavy duty checkerplate swing out tailgate
- 2 X ALKO big foot stabilizing wind down legs (including handle)
- Upright spare wheel mount (including spare tyre)
- Provision for tool box on drawbar
- 1800mm long 100 x 50mm drawbar RHS
- Drawbar extended to front spring hanger
- Brand new off-road ALKO coupling
- 10" Swingable jockey wheel
- 7 Pin flat or round plug
- LED lights
- Load capacity 750kg GVM
- Including 12 months private NSW registration.
- Direct from manufacturer and Australian made trailers
- 12 Months warranty
- Approximate weight: 440 kgs



EXT OFF-ROAD GALVANISED

\$6800

(including tent)

- 7ft x 4ft heavy duty trailer (2100mm x 1200mm)
- Highsides (520mm H)
- Full tube chassis 50x50mm RHS
- Checkerplate mudguards
- Checkerplate full side steps front & rear (gussets)
- Checkerplate rear light guards
- Checkerplate floor 2.1mm
- Checkerplate straight walls
- 45mm solid square axle
- ALKO Eye to Eye outback off-road springs (7 leaf)
- 6 stud hubs with 15" white Sunraiser
- off-road tyres (secondhand tyres) with brand new rims
- Spare wheel with secondhand tyre with brand new rim
- 1 x 20 litre Jerry can holder on side (side access & lockable)
- 1 x 4.5kg gas bottle holder on side (side access & lockable)
- Lockable heavy duty checkerplate swing out tailgate
- 2 x ALKO big foot stabilizing wind down legs (inc handle)
- Upright spare wheel mount (inc spare tyre)
- Provision for tool box on drawbar
- 1800mm long 100 x 50mm drawbar RHS
- Drawbar extended to front spring hanger
- Brand new off-road ALKO coupling
- 10" swingable jockey wheel
- 7 pin flat or round plug
- LED lights
- Load capacity 750kg GVM
- Including 12 months private NSW registration
- Direct from manufacturer and Australian made trailers
- 12 months warranty
- Fully Hot Dipped Galvanised
- Approximate weight: 490 kgs



EXT OFF-ROAD ALUMINIUM

\$7300

(including tent)

- 7ft x 4ft heavy duty trailer (2100mm x 1200mm)
- Checkerplate straight highsides (520mm H)
- Galvanised full tube chassis 75x50mm RHS
- Custom made checkerplate mudguards (wide)
- Checkerplate full side steps front & rear (gussets)
- Checkerplate rear light guards
- Checkerplate floor - 3mm
- Trailer gauge is 3mm in thickness
- 45mm solid square axle
- Eye to Eye ALKO outback off-road springs (7 leaf)
- 6 stud hubs with 15" white Sunraiser off-road tyres (secondhand tyres) with brand new rims
- Spare wheel with secondhand tyre & brand new rim
- 1 x 20 litre Jerry can holder on side (side access & lockable)
- 1 x 4.5kg gas bottle holder on side (side access & lockable)
- Heavy duty swing out checkerplate tailgate (lockable)
- 2 x ALKO big foot stabilizing wind down legs (inc handle)
- Upright spare wheel mount (inc spare tyre)
- Provision for tool box on drawbar
- 1800mm long 100 x 50mm drawbar RHS
- Drawbar extended to front spring hanger
- Brand new off-road ALKO coupling
- 10" swingable jockey wheel
- 7 pin flat or round plug
- LED lights
- Load capacity 750kg GVM
- Including 12 months private registration
- Direct from manufacturer and Australian made trailers
- 12 months warranty
- Approximate weight: 470 kgs



OPTIONAL ACCESSORIES



Painted removable front & rear H racks
\$350



Galvanised removable front and rear H racks (suitable for galvanised & aluminium trailers only)
\$700



Aluminium checkerplate tool box with gas struts on lid (1200x500x500)
\$400



Bike rack holder
\$150



Bullet nose tool box
1400 w(back) x 800 w(front) x 500 h(back) x 400 h(front) x 600 d
\$600



Stainless steel kitchen with sink, tap & extended bench
\$700



Heavy duty 65L water tank 810 x 190 x 615mm with fittings, hand pump & lockable water filler with keys
\$400



Lift up hinged tent on gas struts for easy access & easy lifting
\$500



ALKO off-road coupling
\$300



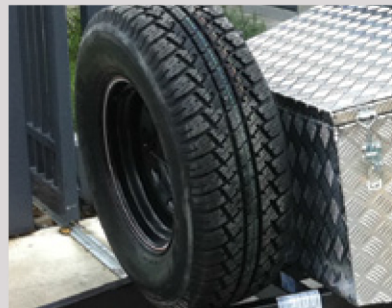
3x brand new 5 stud 15" on road tyres
\$300



Storm cover (protects, keeps roof dry & clean)
\$300



Outside tap
\$150



3x brand new 16" 6 stud off road tyres
\$350



Mechanical disc brakes
\$500
Note: Extra cost for registration



Electric brakes
\$700
Note: Extra cost for registration



MARIO TRAILERS

Quality Trailers made in Australia

1 George Young Street
Auburn (Regents Park) NSW 2144

PHONE: 02 9645-3333 **FAX:** 02 9645-4333

EMAIL: info@mariotrailers.com.au

MOUNT KURING-GAI SHOWROOM (Hornsby)

15/2 Marina Close
Mt Kuring-Gai, NSW 2080

PH: 02 9457 6558

CARDIFF SHOWROOM (Newcastle)

Unit 2/8 Nelson Rd
Cardiff, NSW 2285

PH: 02 4956 8442

www.mariotrailers.com.au